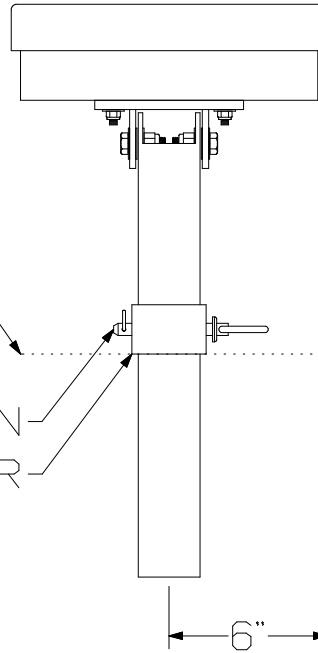


6-1/4"

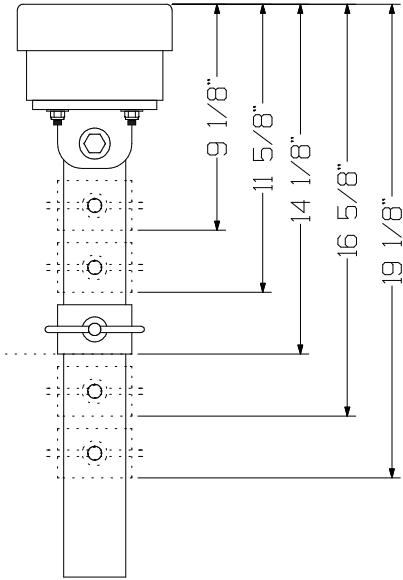


TOP OF BUNK HOLDERS

HITCH PIN

ADJUSTABLE COLLAR

6"



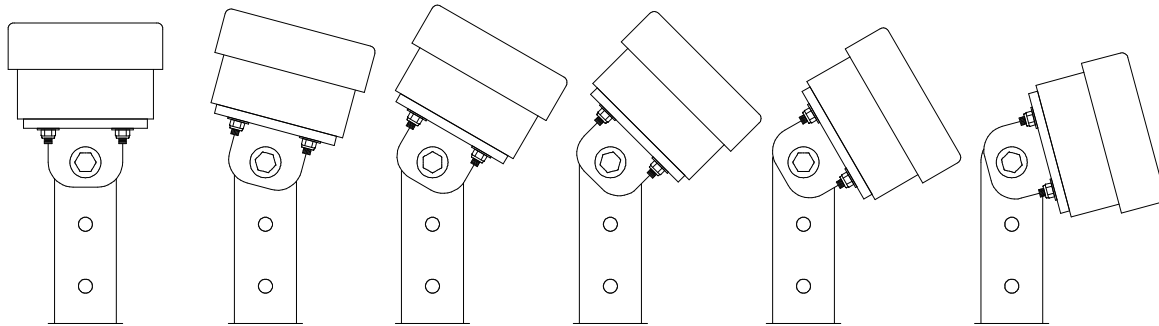
9 1/8"

11 5/8"

14 1/8"

16 5/8"

19 1/8"

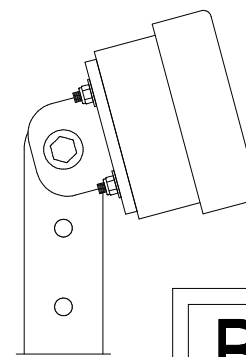
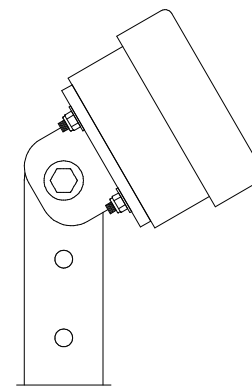
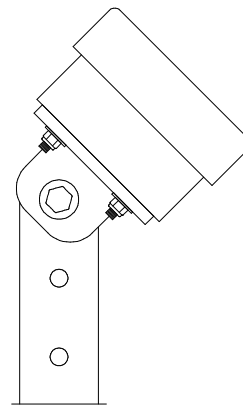
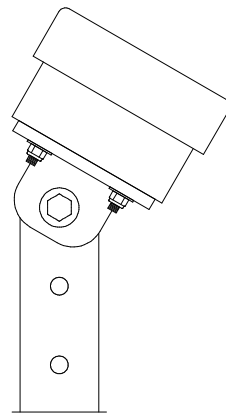
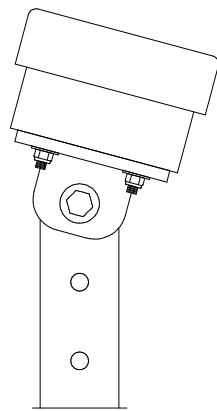
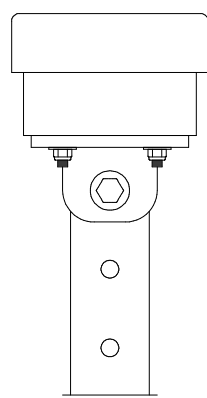
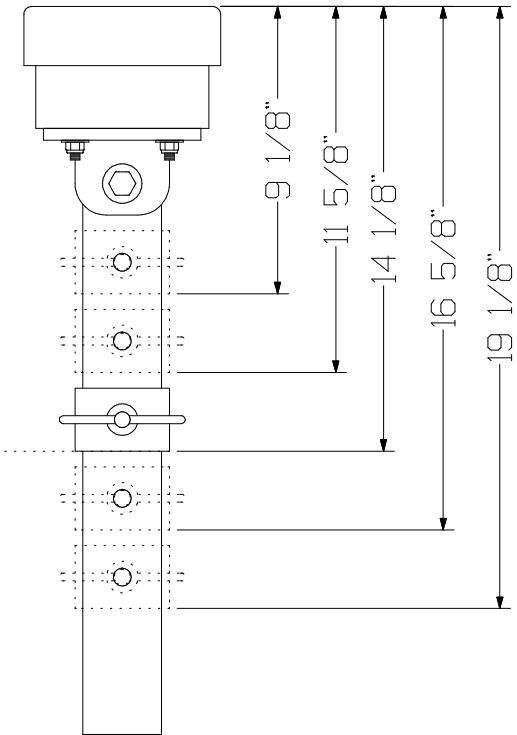
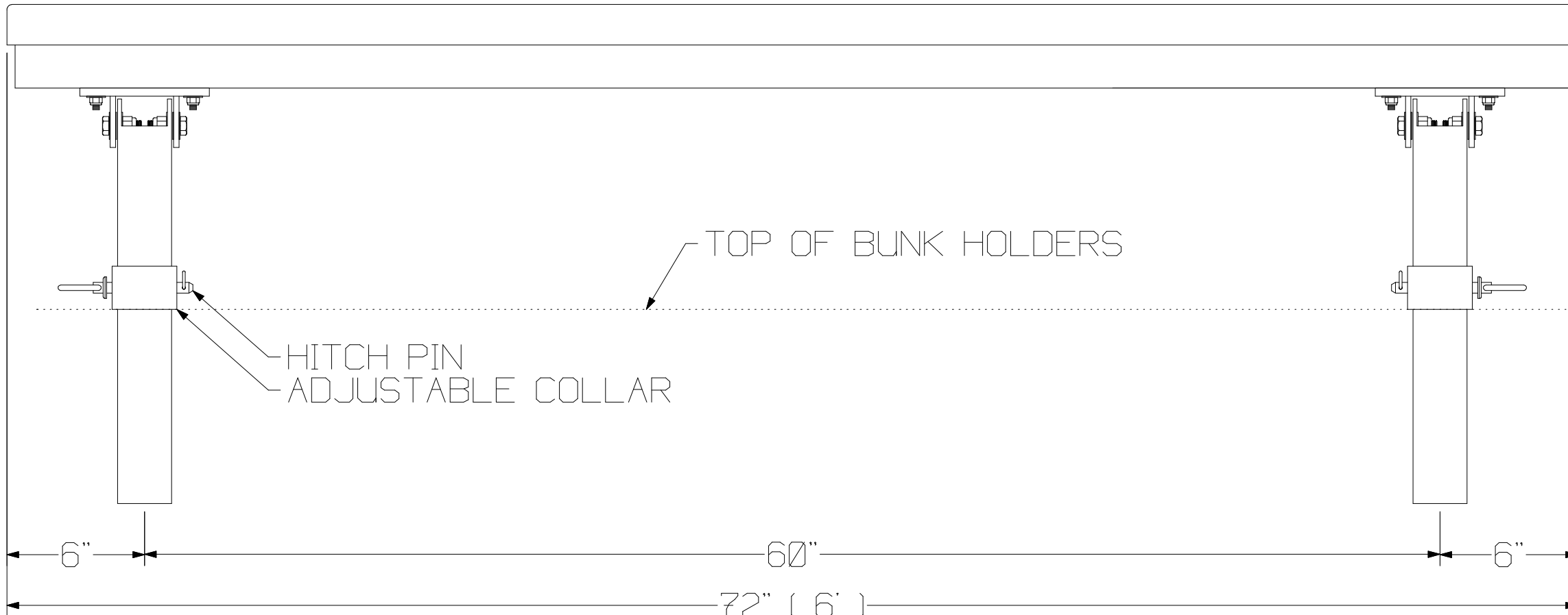


ROTATIONAL CAPABILITY
LEFT or RIGHT

Broward Trailer Co., Inc.			
4-BAA-12-1 ADJUSTABLE ANGLE BUNK DIMENSIONS			
DRAWING NUMBER	9001-64	DRAWN BY	DN
		DATE	070831
SCALE	FULL	APPROVED BY	
		REVISION DATE	
			REV A



6-1/4"



ROTATIONAL CAPABILITY
LEFT or RIGHT

Broward Trailer Co., Inc.			
4-BAA-72-2 72" (6') ADJUSTABLE ANGLE BUNK DIMENSIONS			
DRAWING NUMBER	9001-63	DRAWN BY	DN
		DATE	070907
SCALE	FULL	APPROVED BY	REVISION DATE
			REV A