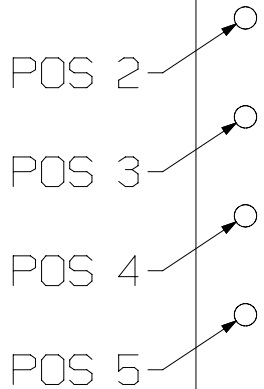
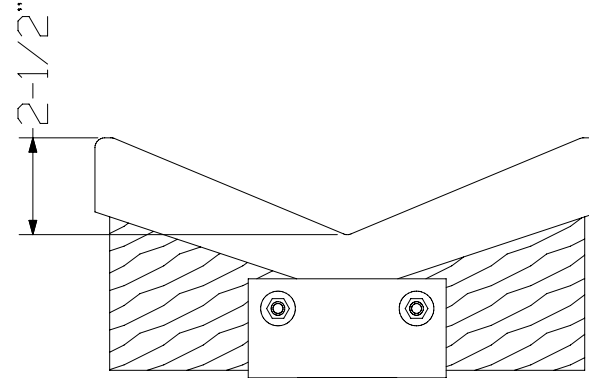
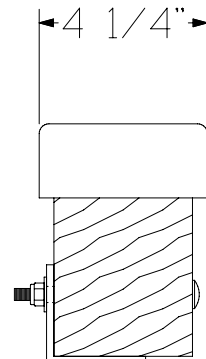
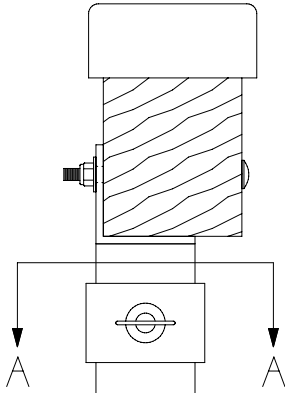


SHOWN WITH  
MOUNTING  
COLLAR IN  
POSITION 1



<b>Broward Trailer Co., Inc.</b>			
4-BAV-12-1 BUNK ASSEMBLY			
DRAWING NUMBER	9001-34A	DRAWN BY	DN
		DATE	050926
SCALE	FULL	APPROVED BY	
		REVISION DATE	
		REV	A