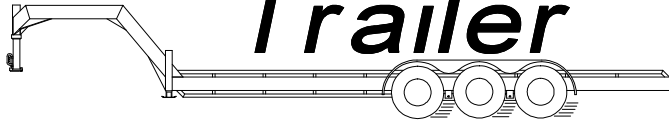




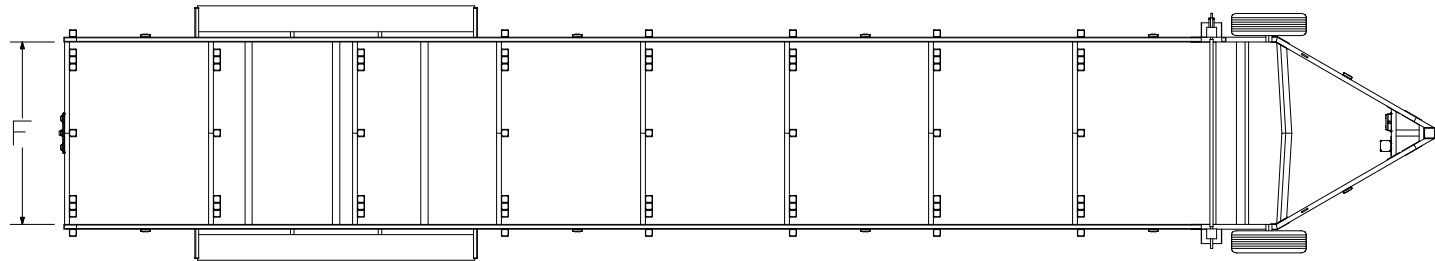
TBG48 Series Boat Transport Trailer 48'

Specifications				
Model	TBG48-183	TBG48-213	TBG48-243	TBG48-303
G.V.W.R.	18,000 lbs.	21,000 lbs.	24,000 lbs.	30,000
Weight	4,441 lbs.	4,903 lbs.	5,254 lbs	7,852 lbs
Length, overall	48'			
Width, overall	102"			
Height, overall	7'			
Deck length	40'		39'	
Deck height	22"		28"	
Deck width	76" Inside Frame Rails			
Electrical System	D.O.T. and N.H.T.S.A. Approved. Stop, tail, turn and clearance lights, incandescent. D.O.T. tape			
Electrical Plug	7-way RV standard			
Frame	Steel tube 8"x2" main frame, steel tube 6"x2" crossmembers			10"x2" Main Frame 8"x2" Crossmembers
Belly Rail	Steel square tube 2"			
Tie Down Rail	Steel channel 3" x 1-1/2"			
Fenders	Steel galvanized teardrop			Fabricated Steel
Brakes	Electric drum brakes, all axles standard, with battery backup breakaway kit			
Gooseneck	Steel tube 8"x2"			
Axles	3 x 6,000 lb EZ-Lube	3 x 7,000 lb EZ-Lube	3 x 8,000 lb EZ-Lube	3 x 10,000 Oil Bath
Suspension	2 x 4,000 lb.	2 x 4,000 lb.	2 x 4,000 lb.	2 x 5,000
Tires	LT235/85R16 E rated	LT235/85R16 G rated	215/75R17.5 H rated	245/70R17.5 H Rated
Wheels	16 x 6 OEM 8 lug	16 x 6 OEM 8 lug	17.5 x 6.75 OEM 8 lug	17.5 x 6.75 OEM 8 lug
Spare tires	2 mounted, 1/side, same as above			
Jack	2-12,000 lb Drop leg			
Coupler	Gooseneck hitch, Adjustable, 2-5/16" ball			
Safety Chains	2 x 15,000 lb. 3/8" with hook			
Ramps	N/A			
Finish	Black zinc based transport finish			
Bunk, 2' straight	4			
Bunk, 6' straight	2			
Bunk, 12" 'V' notch	3			
Screw pad	4			

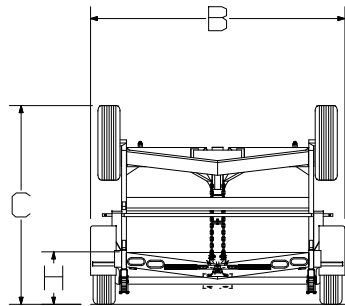
Broward Trailer



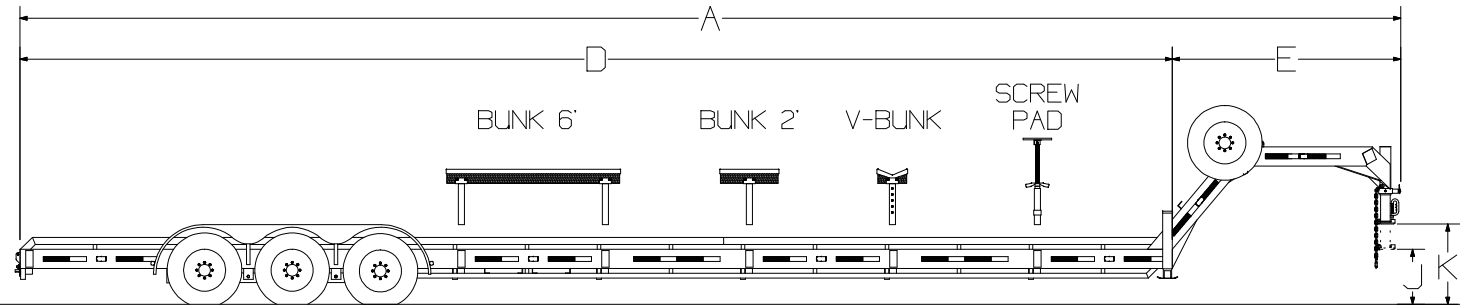
TBG48 Series Boat Transport Trailer 48'



TOP VIEW



REAR VIEW



RIGHT SIDE VIEW

TBG48-183 to 243
SHOWN

A	48'	TOTAL LENGTH
B	102"	TOTAL WIDTH
C	7'	TOTAL HEIGHT
D	40'	DECK LENGTH
E	8'	GOOSENECK LENGTH
F	76"	WIDTH BETWEEN MAIN FRAME RAILS
H	22"	DECK HEIGHT
J	23"	MINIMUM COUPLER HEIGHT
K	33"	MAXIMUM COUPLER HEIGHT