

A	13"	K	28-3/4"
B	15-1/2"	L	31-3/4"
C	18"	M	34-3/4"
D	20-1/2"	N	20-1/4"
E	23"	P	35-3/4"
F	6-1/2"	R	27"
G	9"	S	30"
H	11-1/2"	T	33"
I	14"	X	16-1/2"
J	16-1/2"		

NOTE 1: REVERSING BUNK DECREASES THE K, L & M DIMENSIONS BY 1-3/8"

NOTE 2: BUNKS ARE NOT MEANT TO BE LEFT IN THE BUNK HOLDERS UNLOADED

Broward Trailer Co., Inc.

TBx SERIES TRAILER BUNK
ARRANGEMENTS

DRAWING NUMBER 9001-53

DRAWN BY DN

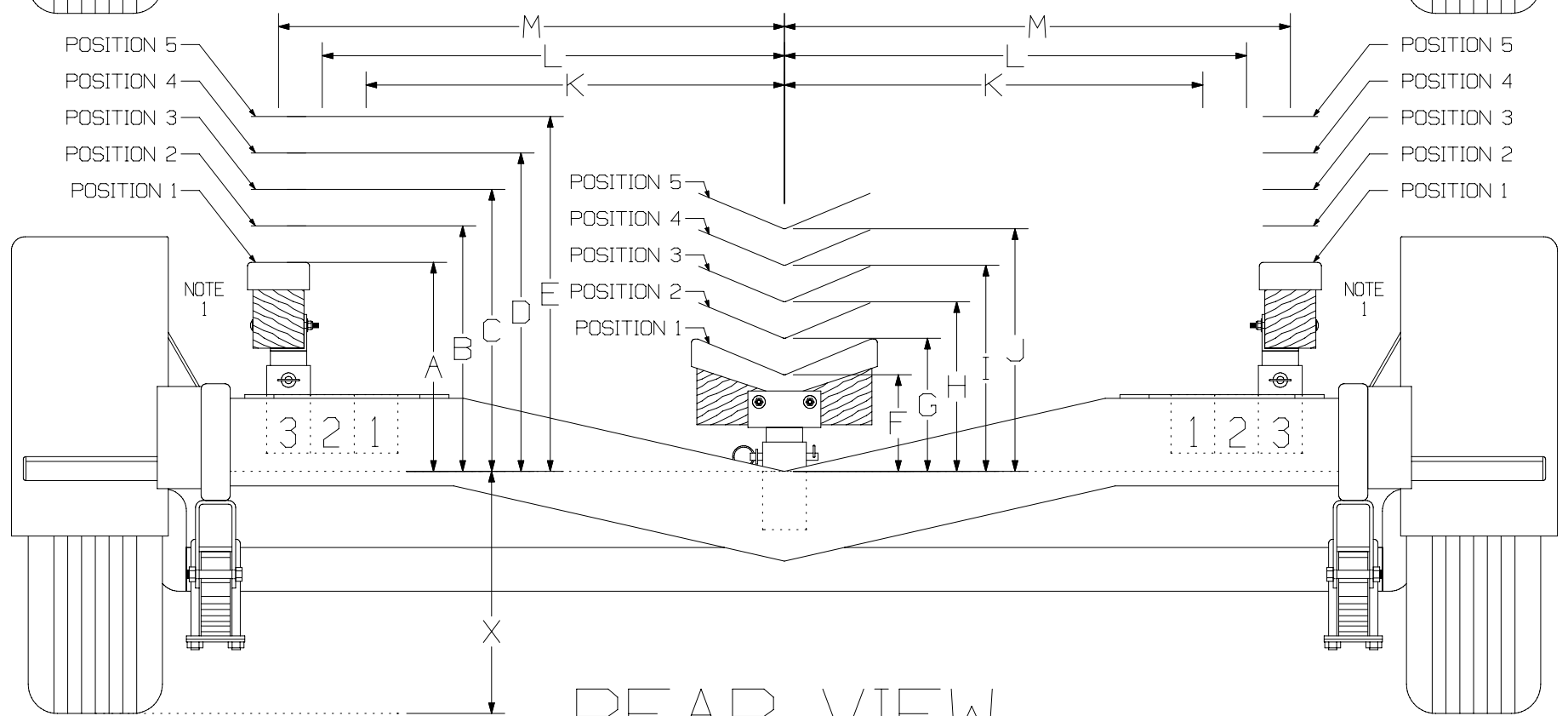
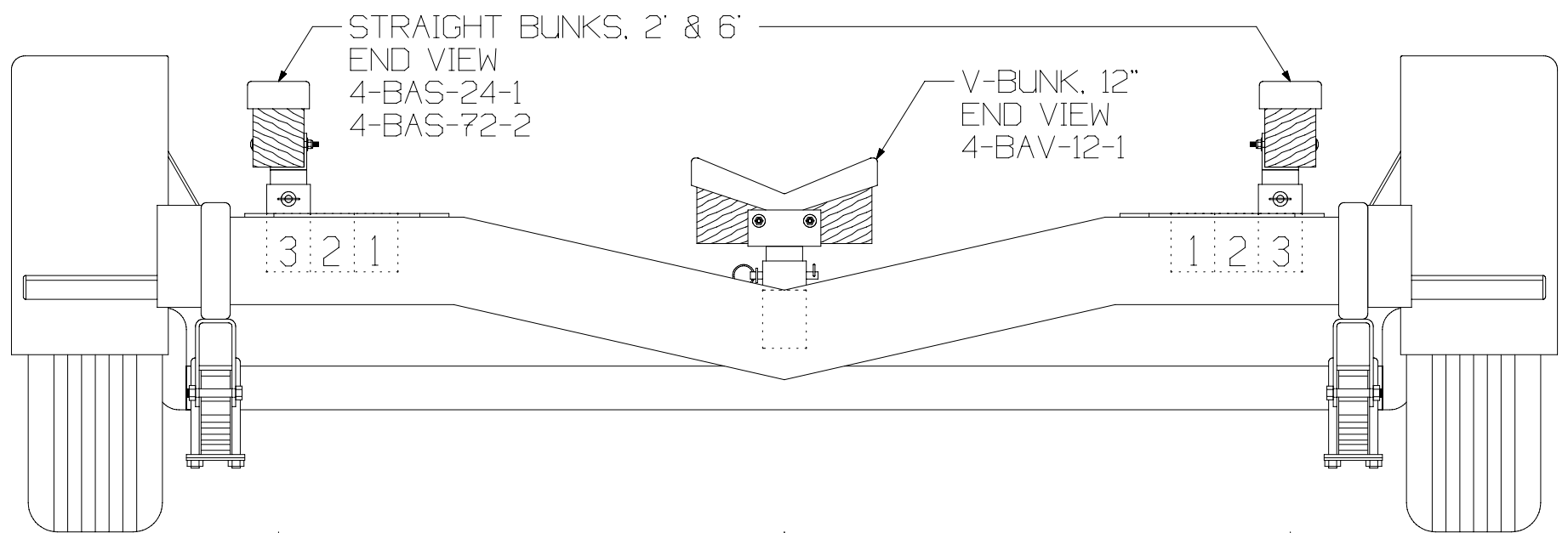
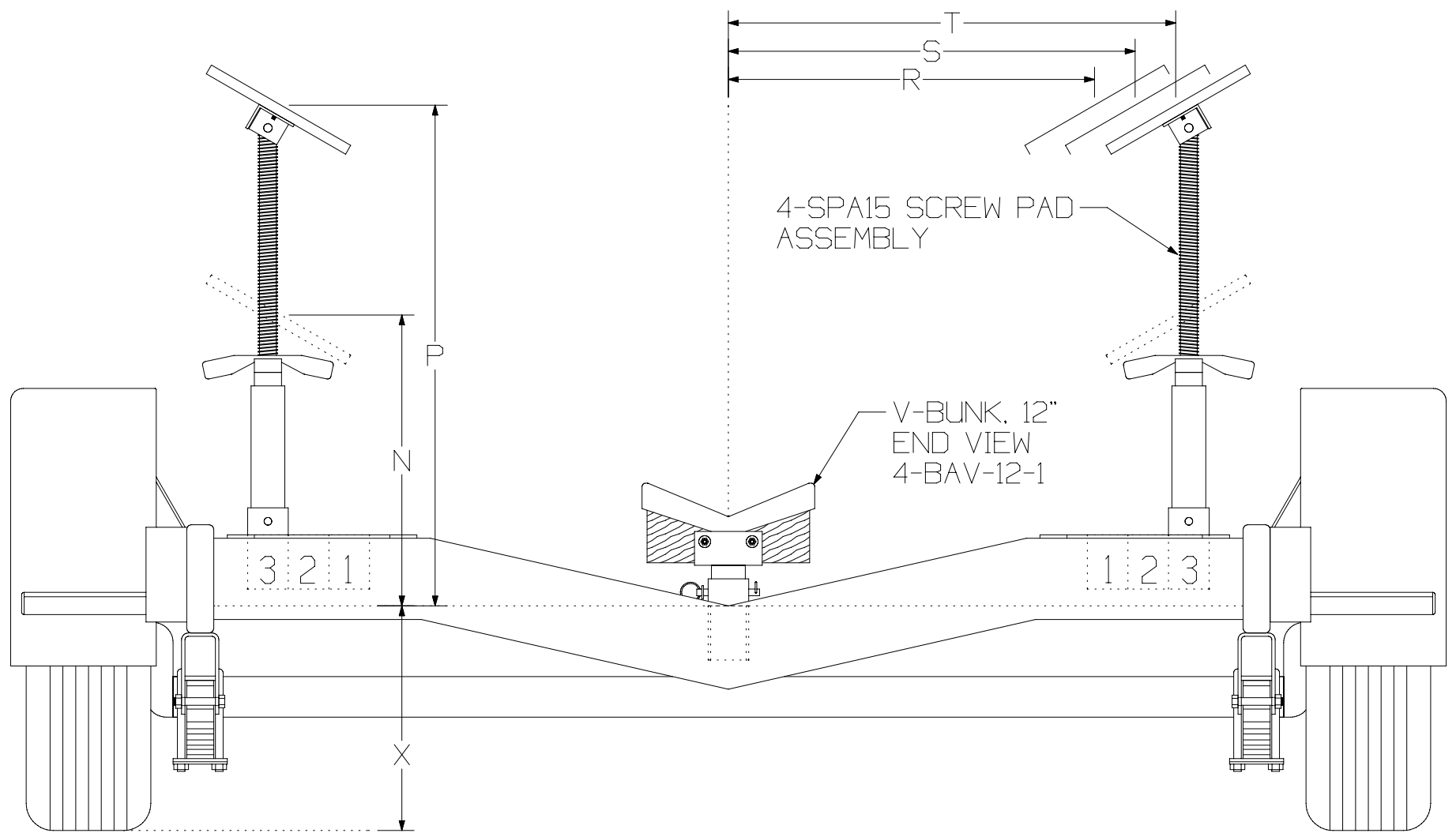
DATE 051228

SCALE FULL

APPROVED BY

REVISION DATE

REV A



REAR VIEW

A	14-1/4"	K	28-3/4"
B	16-3/4"	L	31-3/4"
C	19-1/4"	M	34-3/4"
D	21-3/4"	N	21-1/2"
E	24-1/4"	P	37"
F	6-1/2"	R	27"
G	9"	S	30"
H	11-1/2"	T	33"
I	14"	X	16-1/2"
J	16-1/2"		

NOTE 1: REVERSING BUNK DECREASES THE K, L & M DIMENSIONS BY 1-3/8"

NOTE 2: BUNKS ARE NOT MEANT TO BE LEFT IN THE BUNK HOLDERS UNLOADED

Broward Trailer Co., Inc.

TABx SERIES TRAILER BUNK
ARRANGEMENTS

DRAWING NUMBER 9001-54

DRAWN BY DN

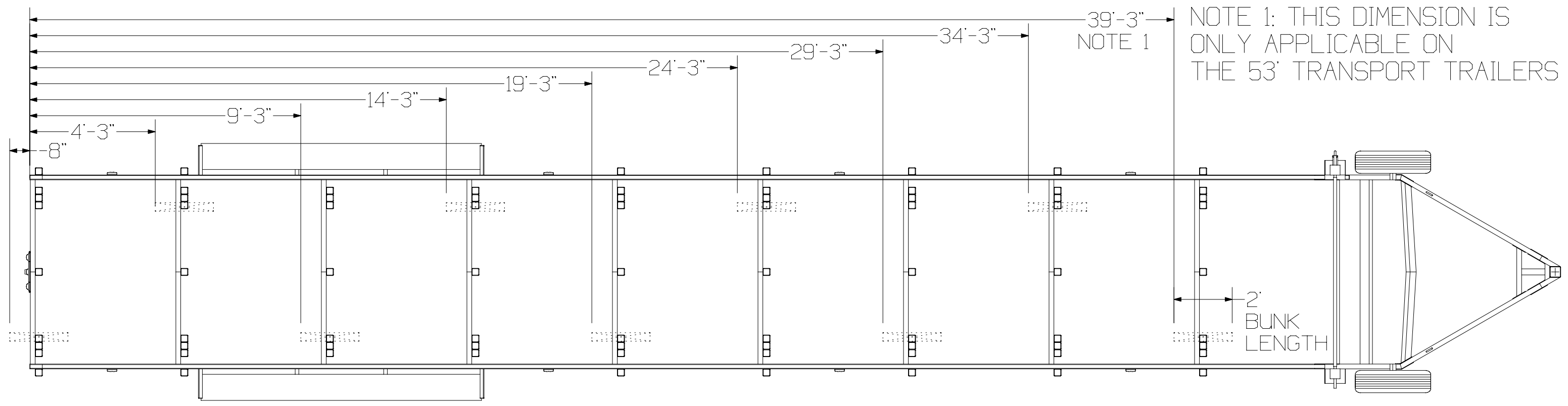
DATE 051228

SCALE FULL

APPROVED BY

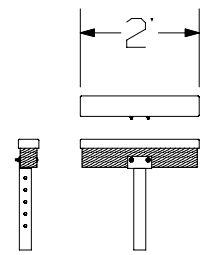
REVISION DATE

REV A



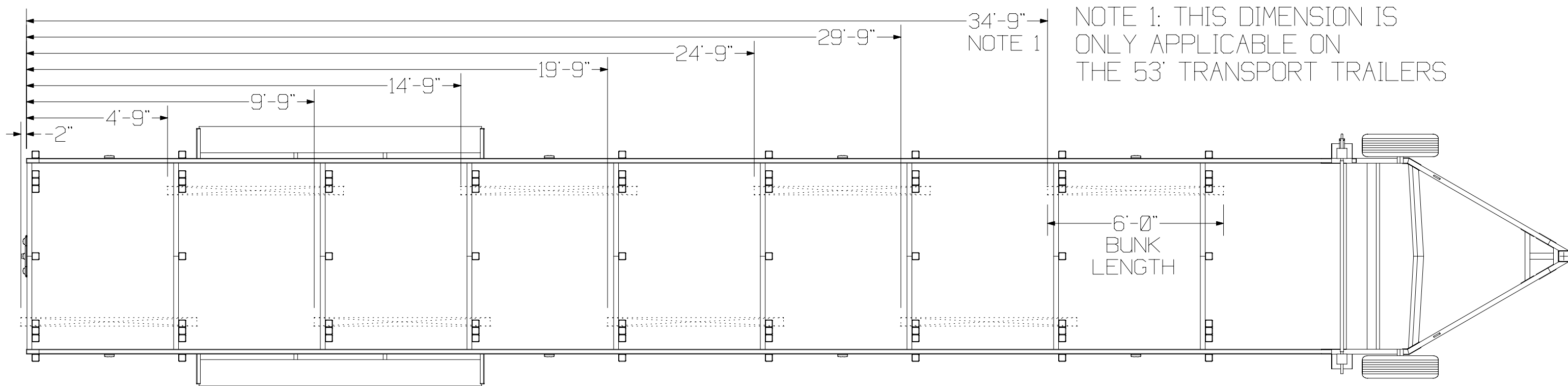
NOTE 1: THIS DIMENSION IS ONLY APPLICABLE ON THE 53' TRANSPORT TRAILERS

TOP VIEW

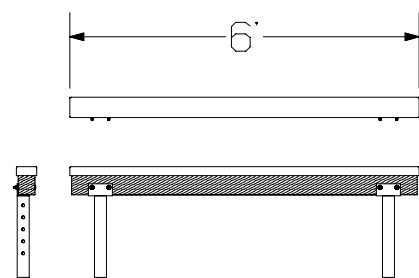


2' STRAIGHT BUNK
4-BAS-24-1

Broward Trailer Co., Inc.			
4-BAS-24-1 STRAIGHT 2' BUNK FRONT/REAR LOCATIONS ON TB, TAB SERIES TRAILERS			
DRAWING NUMBER	9002-01	DRAWN BY	DN
		DATE	060419
SCALE	FULL	APPROVED BY	REVISION DATE
			REV A

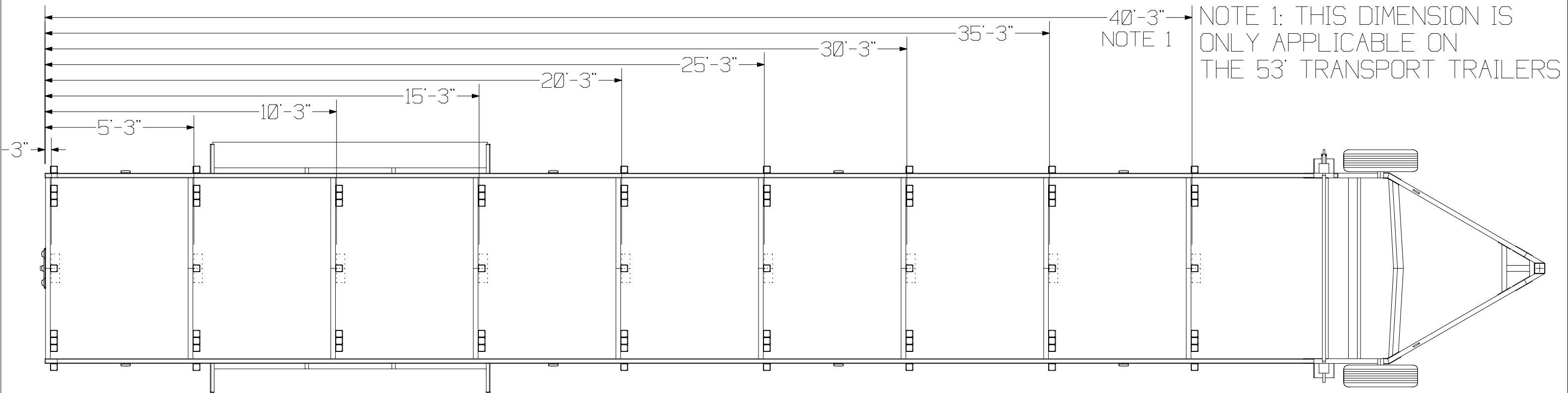


TOP VIEW

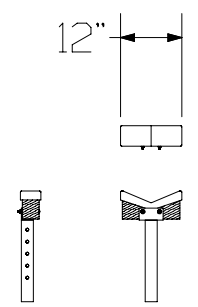


6' STRAIGHT BUNK
4-BAS-72-2

Broward Trailer Co., Inc.			
4-BAS-72-2 STRAIGHT 6' BUNK FRONT/REAR LOCATIONS ON TB, TAB SERIES TRAILERS			
DRAWING NUMBER	9002-02	DRAWN BY	DN
		DATE	060419
SCALE	FULL	APPROVED BY	REVISION DATE
			REV A

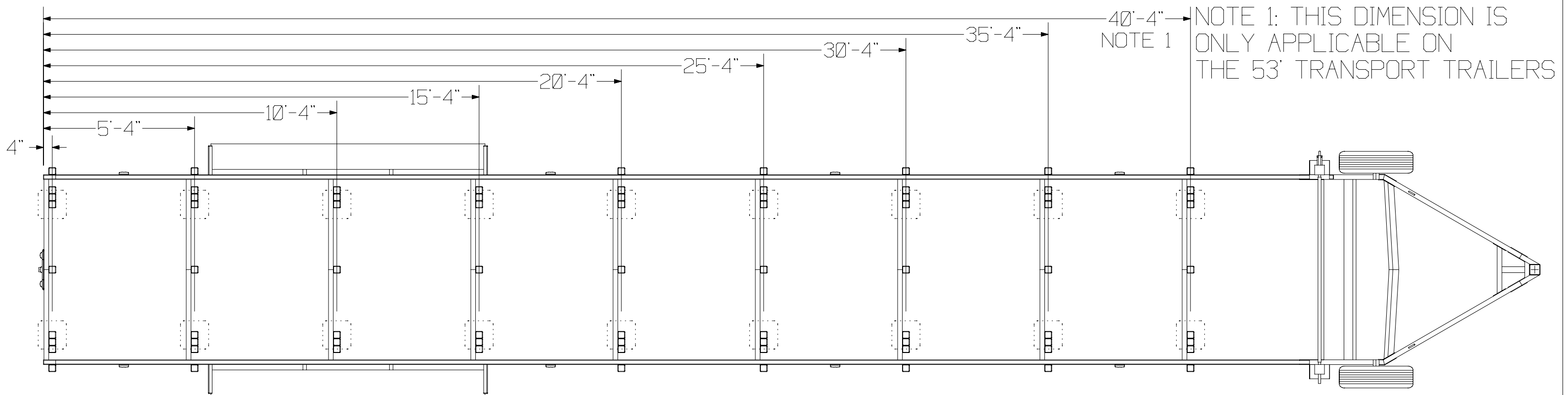


TOP VIEW

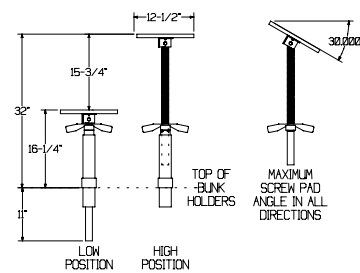


12" 'V' NOTCH BUNK
4-BAV-12-1

Broward Trailer Co., Inc.			
4-BAV-12-1 STRAIGHT 12" BUNK FRONT/REAR LOCATIONS ON TB, TAB SERIES TRAILERS			
DRAWING NUMBER	9002-03	DRAWN BY	DN
		DATE	060419
SCALE	FULL	APPROVED BY	REVISION DATE
			REV A



TOP VIEW



SCREW PAD ASSEMBLY
4-SPA15

Broward Trailer Co., Inc.			
4-SPA15 ADJ. SCREW PAD FRONT/REAR LOCATIONS ON TB, TAB SERIES TRAILERS			
DRAWING NUMBER	9002-04	DRAWN BY	DN
		DATE	060419
SCALE	FULL	APPROVED BY	
		REVISION DATE	
			REV A